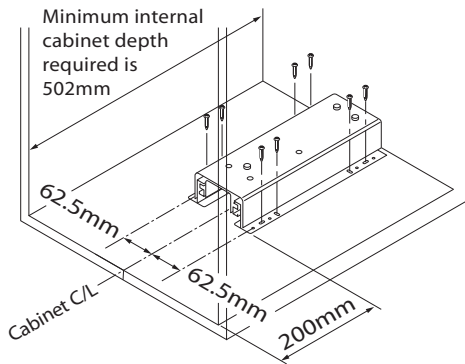
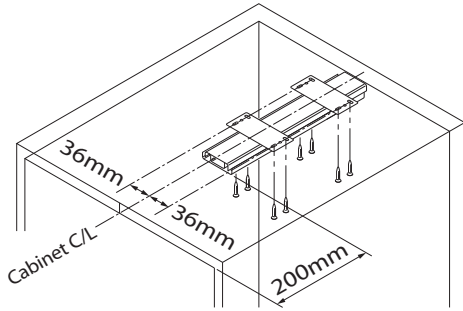


TANDEM UNIT

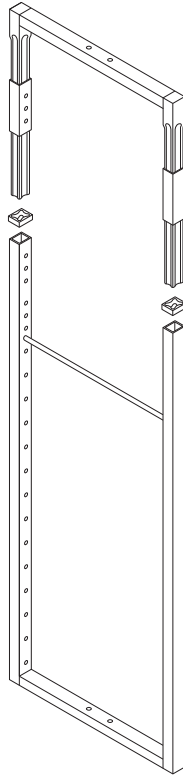
Assembly and fitting instructions

Ensure door alignment is correct before fitting unit. Use 110° straight arm hinges at 100mm centers. Illustrations show a **left handed** cabinet but it can also be fitted to a right handed cabinet. These instructions show a 3/4 height version. Minimum internal cabinet depth required is 502mm.

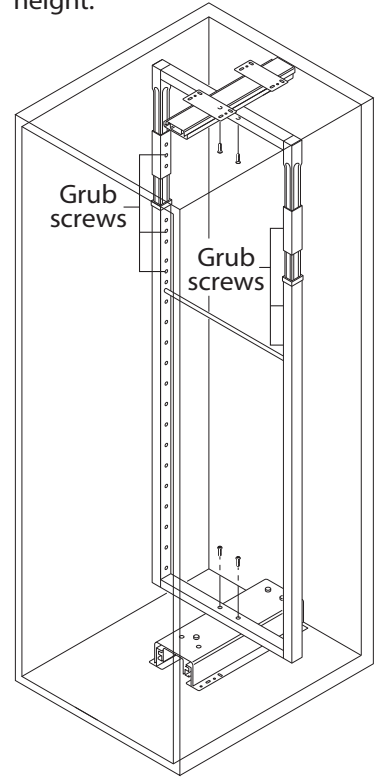
- 1** Locate and fit top and bottom runner carriages to cabinet.



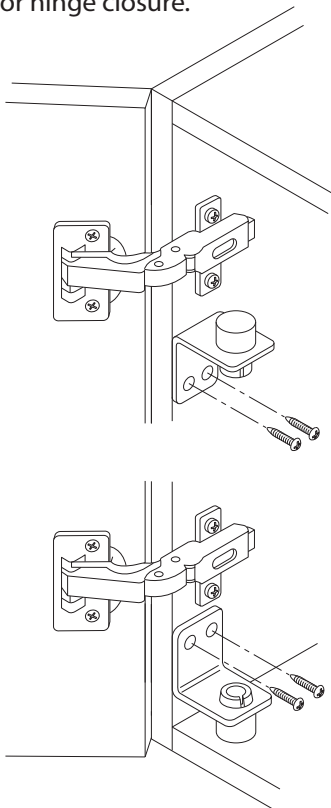
- 2** Assemble cabinet basket frame.



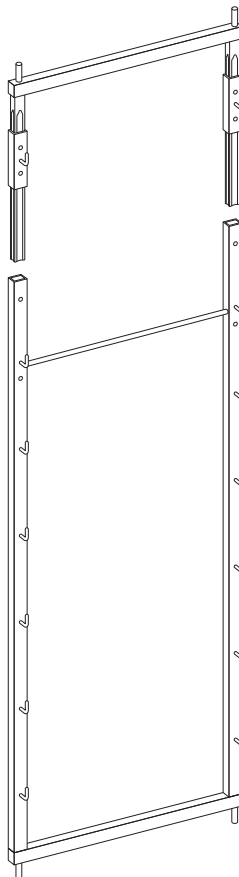
- 3** Fit basket frame to runner carriages. Use grub screws to adjust frame height.



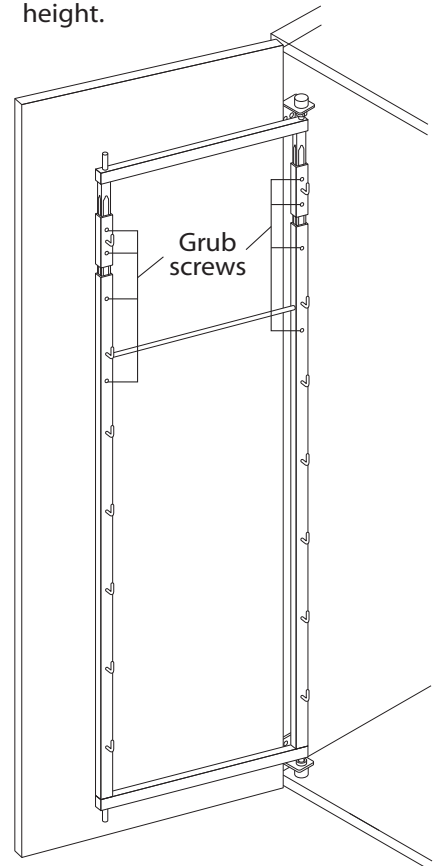
- 4** Fit top and bottom bearing brackets flush with cabinet front face. Ensure top bracket does not foul door hinge closure.



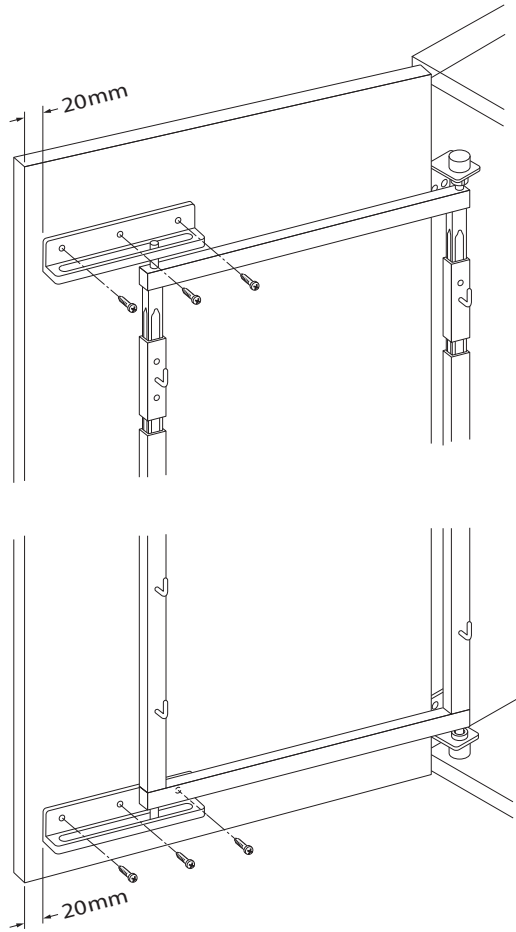
- 5** Assemble door basket frame.



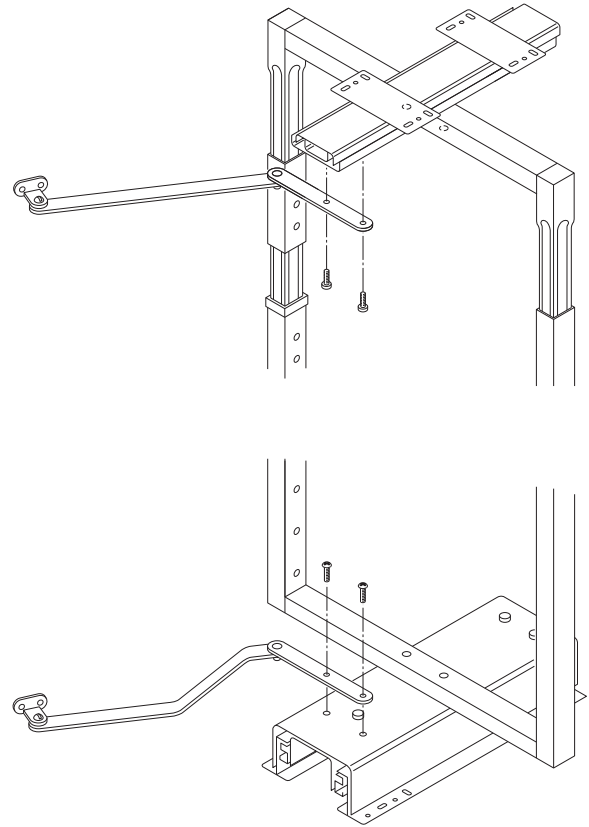
- 6** Fit door basket frame into bearing brackets. Use grub screws to adjust frame height.



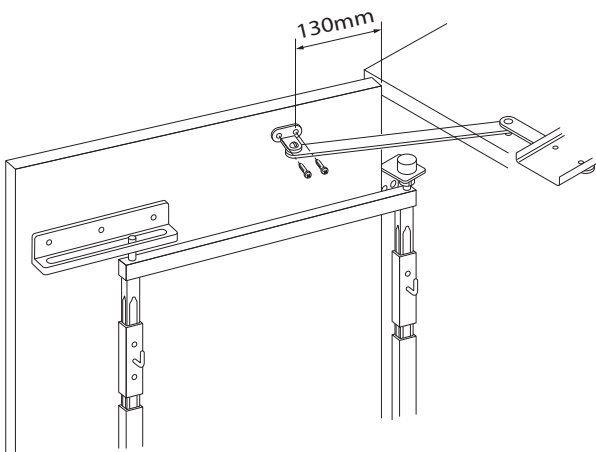
7 Fit guides to door.



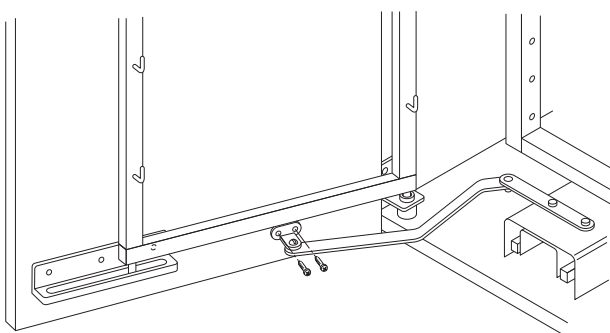
8 Fit top and bottom door linkages to runner carriages.



9 Locate and fit top linkage bracket to door ensuring arm is horizontal before securing bracket.



Locate and fit bottom linkage bracket to door ensuring arm clears cabinet base on closure.



10 Fit the baskets.

*NOTE:
Full height version has 6 main
baskets and 6 door baskets*

