

# BLIND CORNER OPTIMISER

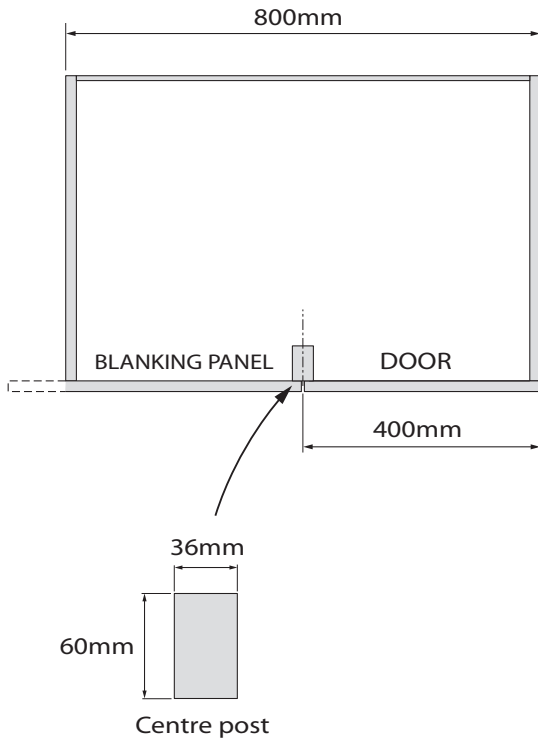
## Assembly and fitting instructions

Do not attach door until Corner Optimiser has been fully assembled and fitted.

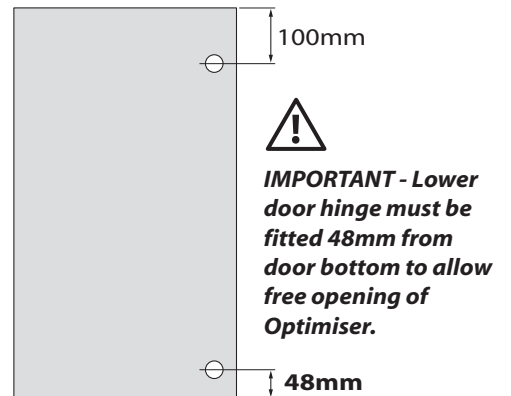
Illustrations show a **800mm right handed** base unit.

**!** **IMPORTANT** - Lower door hinge must be fitted 48mm from door bottom to allow free opening of Optimiser.

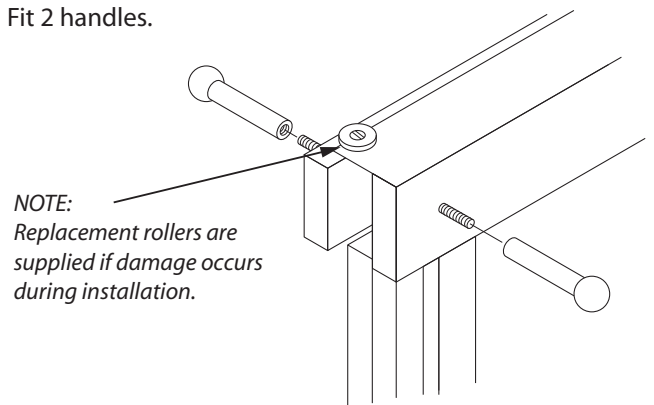
- 1** Fit 36 x 60mm centre post centrally.  
Use 400mm door.



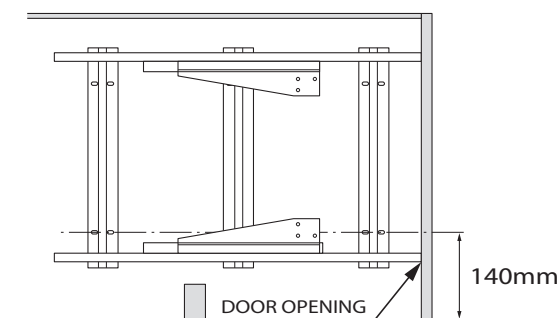
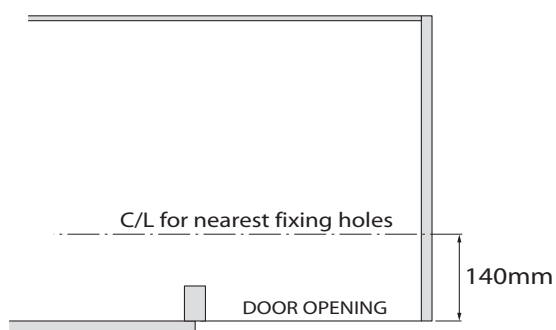
- 2** Drilling door



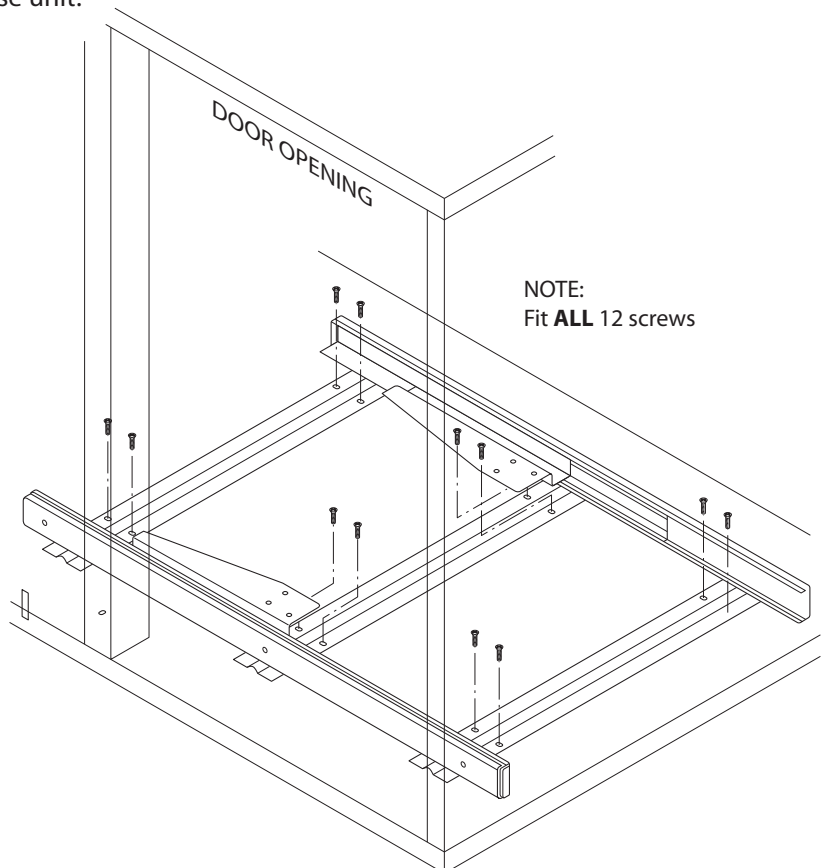
- 3** Fit 2 handles.



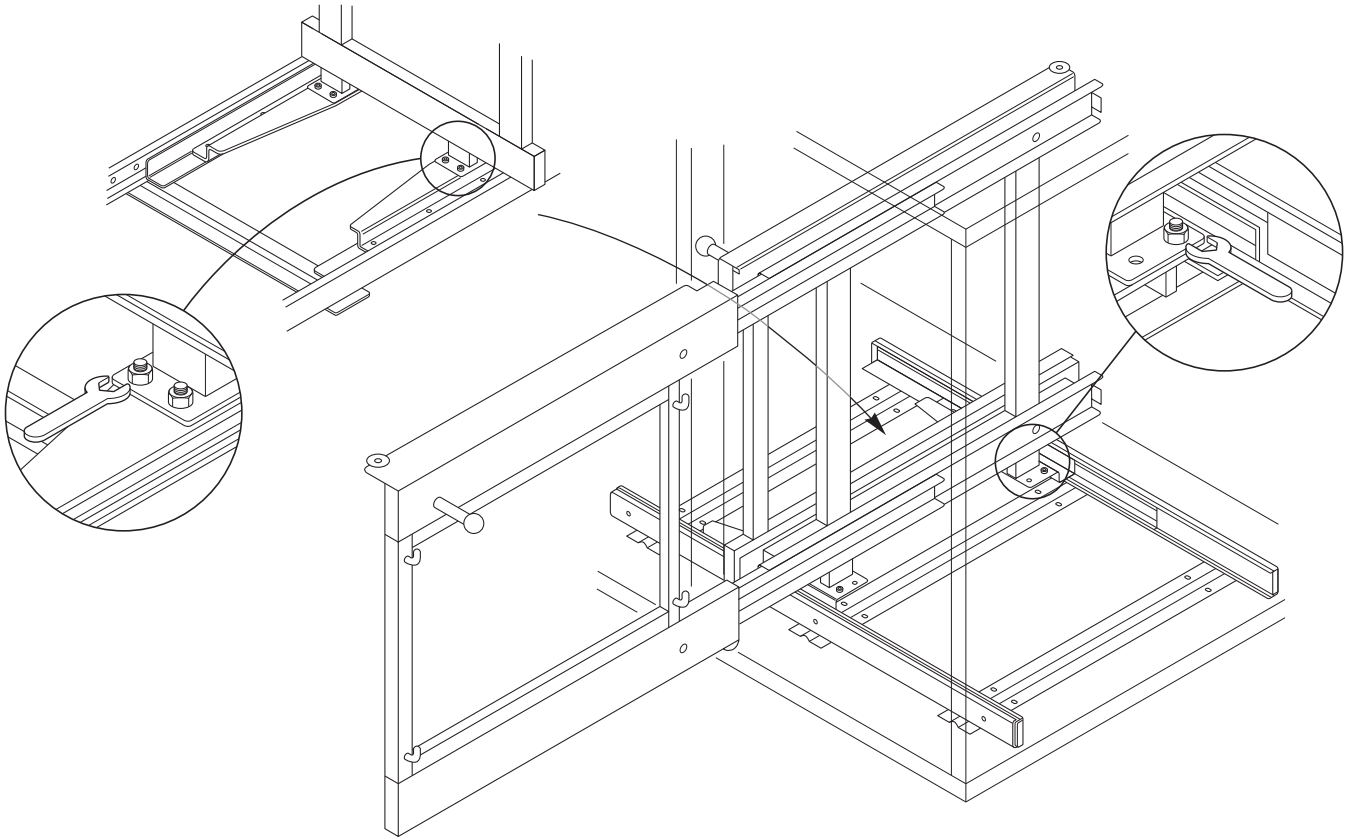
- 4** Locate and fit Optimiser runner carriage to base unit.



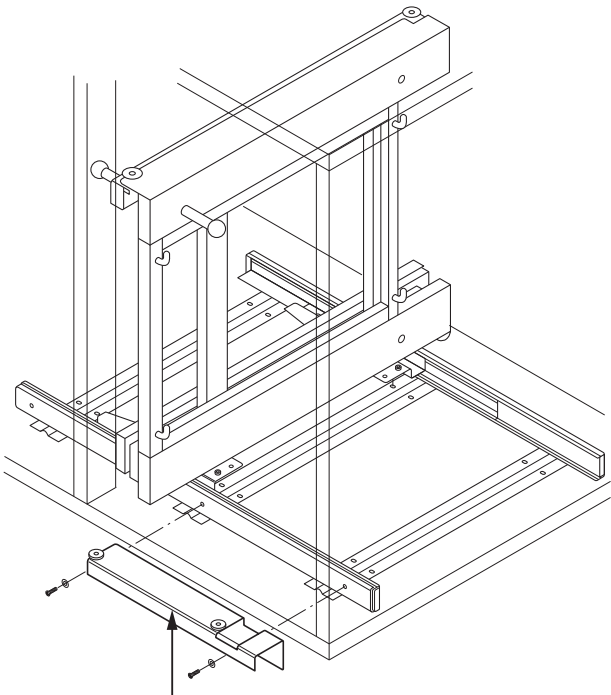
**Fit carriage base tight against cabinet side**



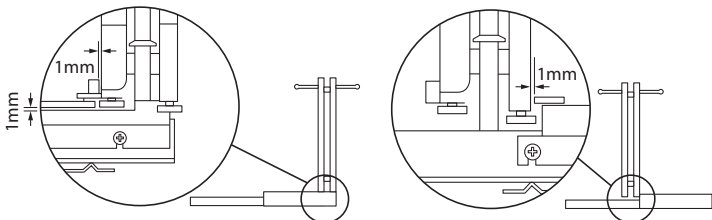
**5** Lower unit onto runner carriage and attach the 6 nuts.



**6** Push unit to far left and fit guide channel to right/front of runner carriage. See details if fine adjustment is needed.



**!** **IMPORTANT:** The guide channel height must be carefully adjusted to allow unrestricted forward movement of the Optimiser and to ensure the limit stop is held by the nylon wheel.



**7** Attach baskets

