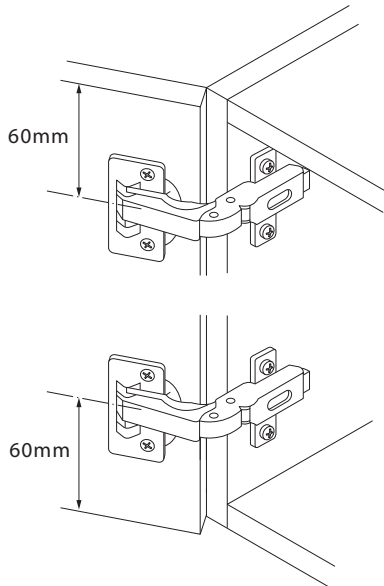


ULTIMATE CAROUSEL

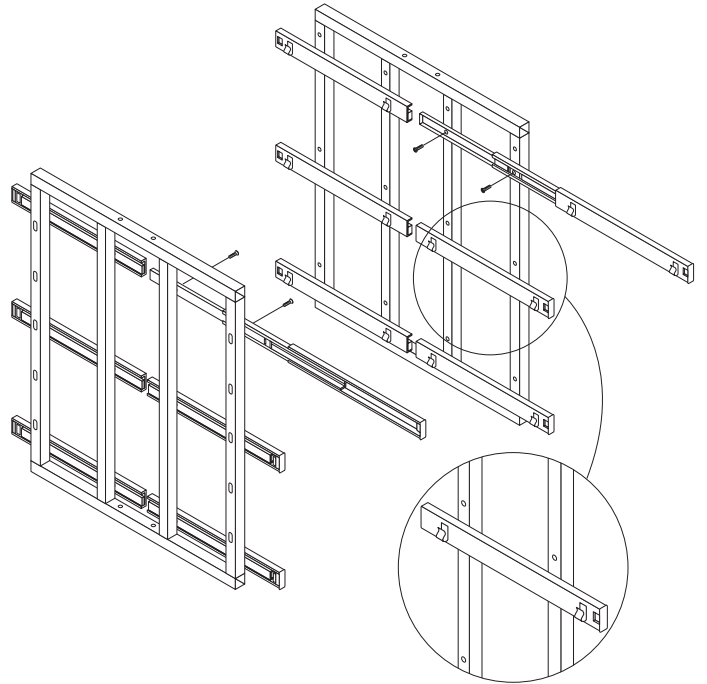
Assembly and fitting instructions

**To fit 900mm x 900mm 'L' shaped base unit.
Use 170° door hinges.**

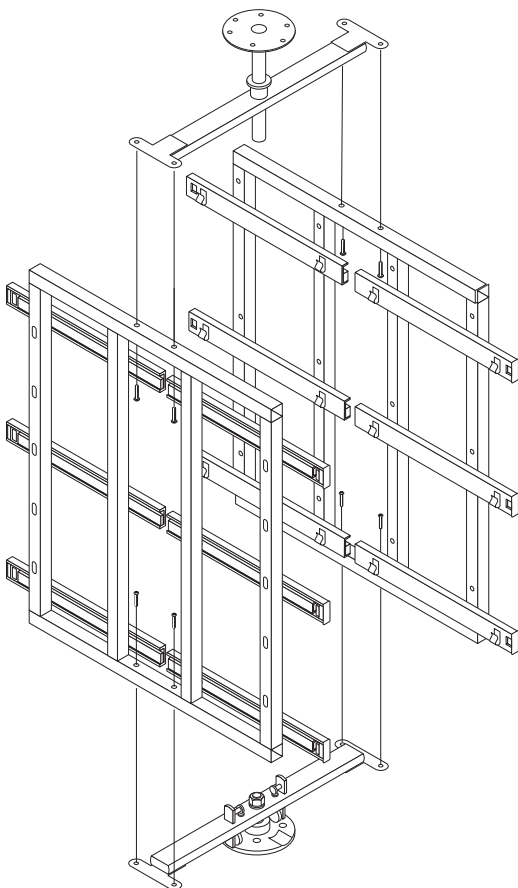
- 1** Prepare drillings for door hinges.
DO NOT FIT DOORS AT THIS STAGE.
NOTE: 60mm top and bottom centers for all hinges.



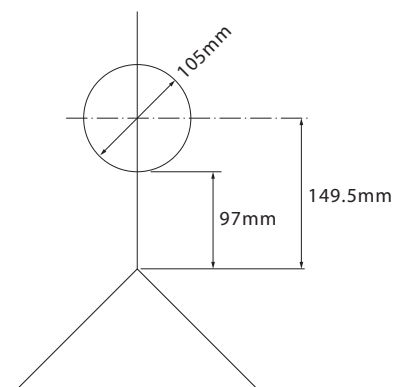
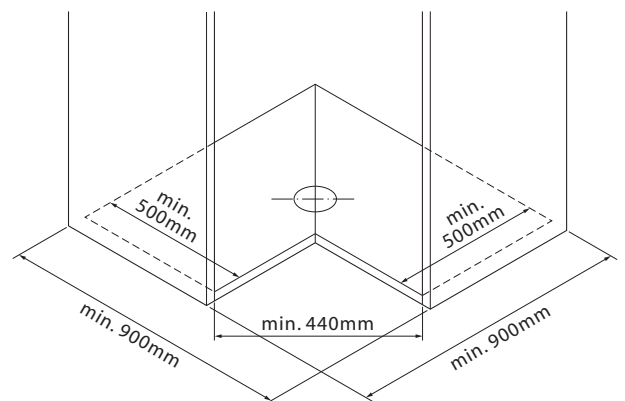
- 2** Fit runners (x6 pairs) to side frames ensuring runner basket hooks face upward.
Do NOT use top row of holes on frames.



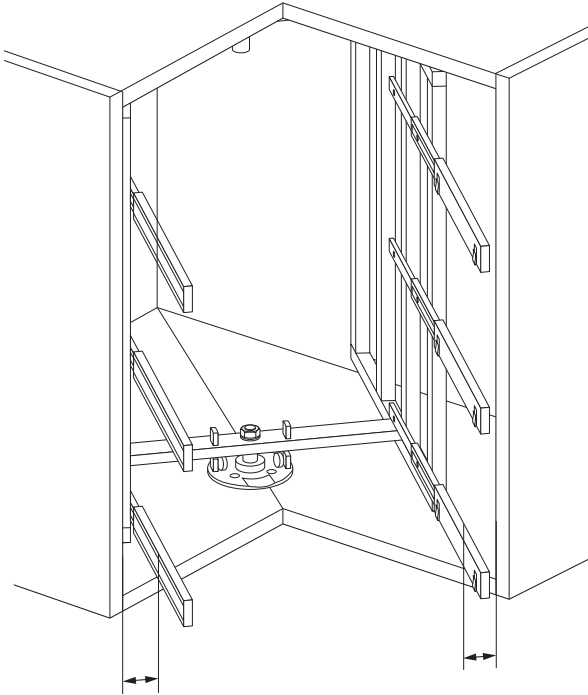
- 3** Fit assembled side frames to top and bottom beams.



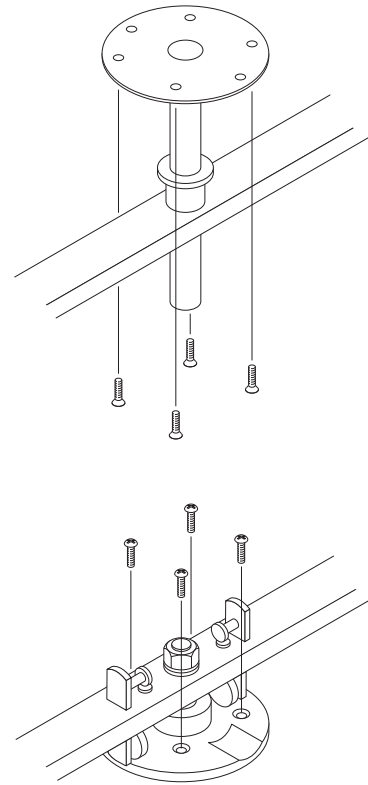
- 4** Mark base unit for fitting carousel.
Construct a pencil 'mitre line' from front to rear corners and along that line draw circle and center line.



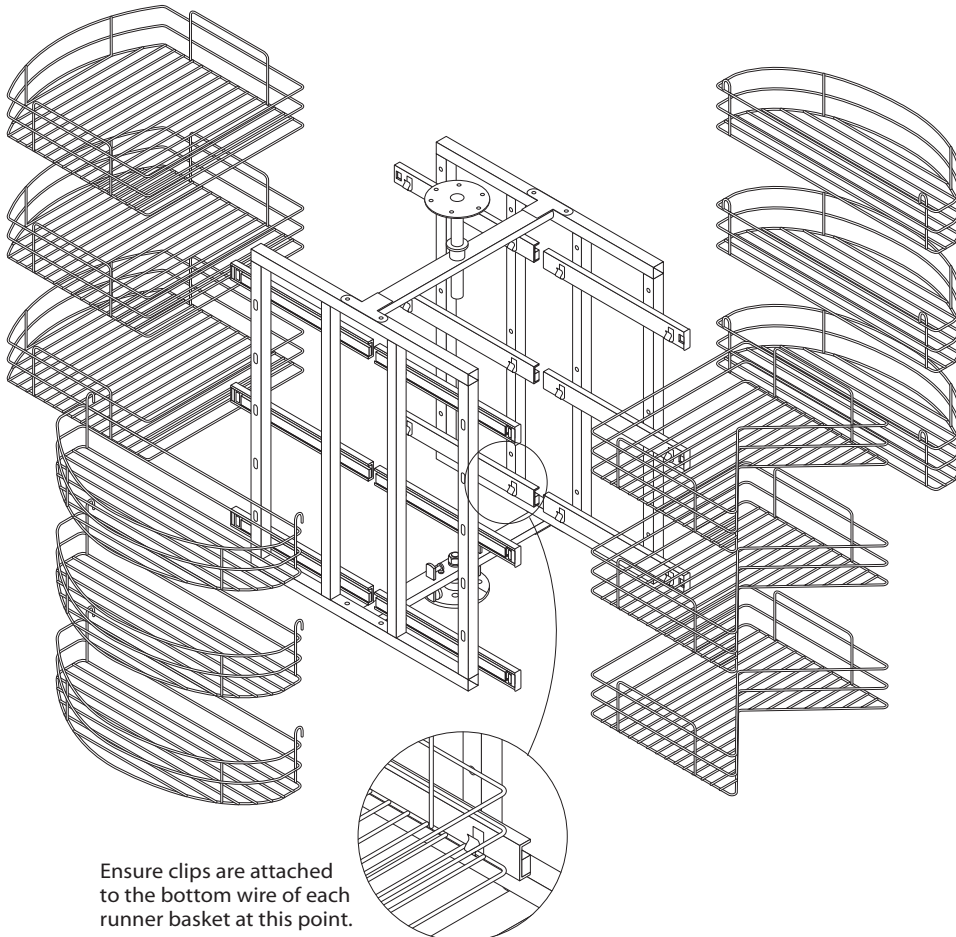
- 5** Insert carousel frame into base unit and align bottom mounting disc with pencil circle. Extend runners and adjust carousel position to ensure equal measurements between runners and cabinet sides.



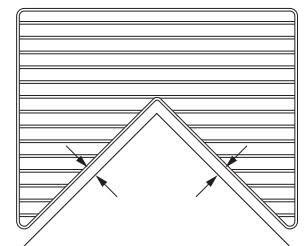
- 6** Mark and drill for top and bottom mounting discs. Fit screws.



- 7** Fit baskets. Carousel should turn 360° without fouling when baskets are fully retracted.



Ensure clips are attached to the bottom wire of each runner basket at this point.



When retracted there should be 5-10mm clearance between front of basket and edge of base/top and inside of door face.